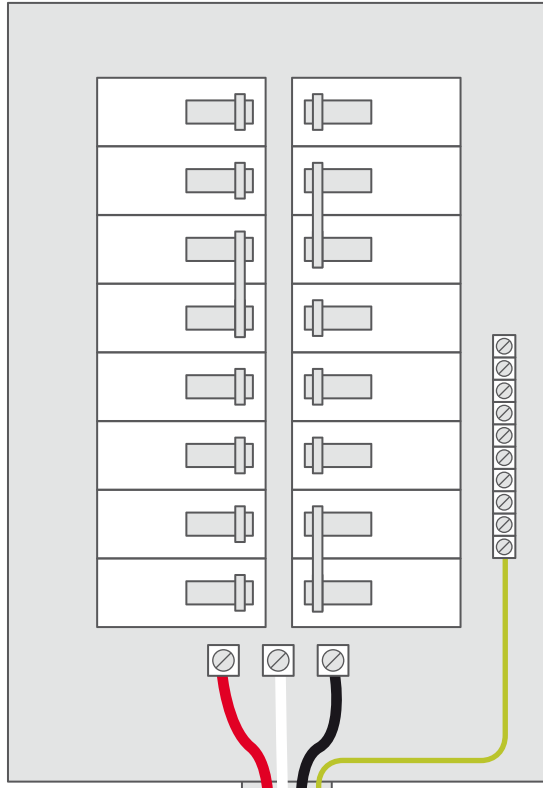


DCC-9

with

METER STACK

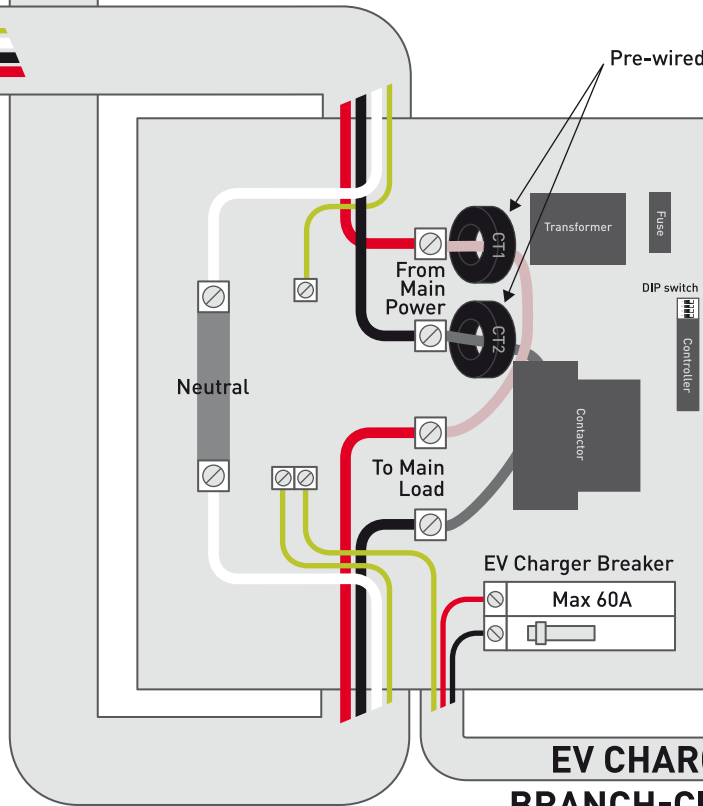
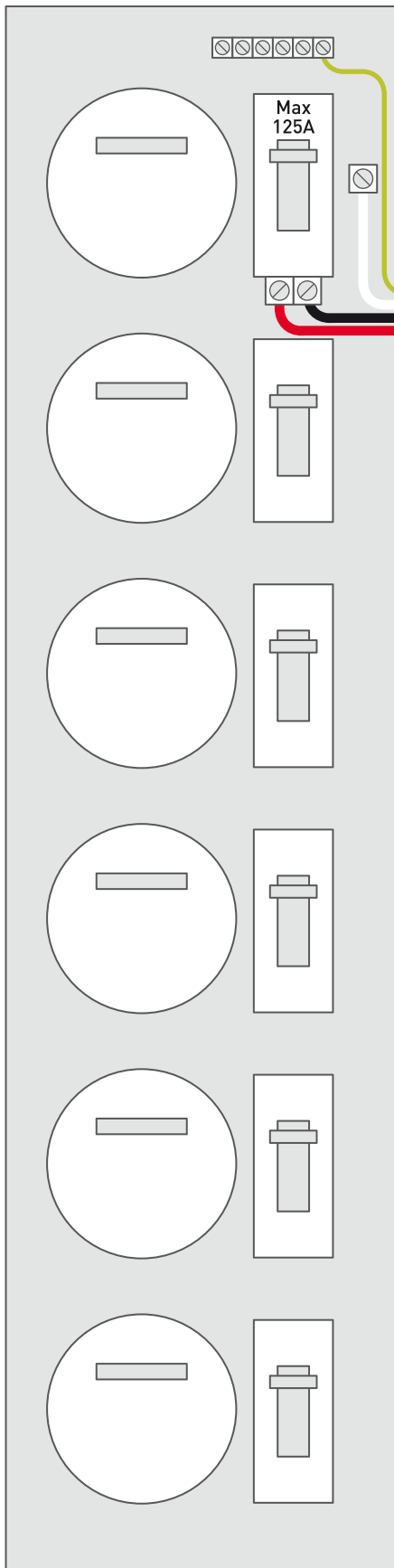
PANEL OF THE UNIT
120/240-208V, MAX 125A



FEEDER OF THE UNIT

↑ **UPPER LEVEL**

METER STACK
120/240-208V



DCC-9
CHARGE CONTROLLER,
SPLITTER BOX 120/240-208V,
MAX 125A

EV CHARGER
BRANCH-CIRCUIT

