

The DCC-9 manufactured by Thermolec is an Energy Management System specially designed to allow the connection of an EV Charger to the main feeder of a panel without affecting load calculation.

OPERATION

- Real-time reading of the total power consumption of a panel with pre-wired current transformers (CT).
- Detects when total power consumption exceeds 80% of main circuit breaker capacity and temporarily de-energize the EV Charger.
- Automatically re-energize the EV Charger when the total power consumption is less than 80% of main circuit breaker capacity for more than 15 minutes.

FEATURES

- Ideal when no more breaker slots are available in a panel.
- Do not affect load calculation of a panel.
- Automatic billing of electricity by the utility (for condo installation).
- Can be wall or ceiling mounted
- Included: Charge Controller, Splitter box (Max 125A), EV Charger Breaker (Max 60A) & pre-wired current transformers (CT).

Models	Breaker EV charger	Main power supply					
		60A	70A	80A	90A	100A	125A
DCC-9-30A	30A	✓	✓	✓	✓	✓	✓
DCC-9-40A	40A	✗	✗	✓	✓	✓	✓
DCC-9-50A	50A	✗	✗	✗	✗	✓	✓
DCC-9-60A	60A	✗	✗	✗	✗	✗	✓

Voltage and wiring 240/208 VAC, single phase: L1, L2, Neutral, Ground.

Terminals size (CU/AL) up to 2/0

Dimensions* (H" x W" x D") 12.0" x 12.0" x 7.5"

Frequency 50 à 60 Hz

Total Weight* 15 lb (6,8 kg)

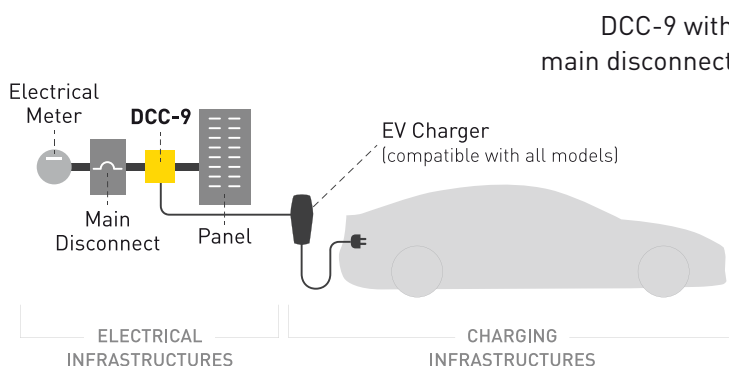
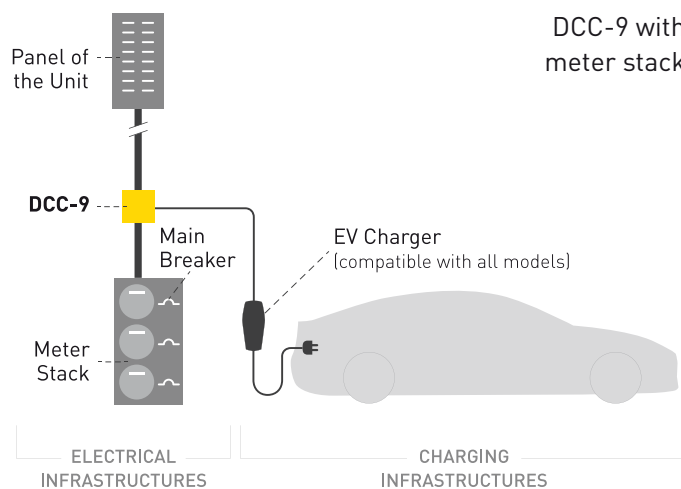
Operating temperature 32°F to 113°F (0°C to 45°C)

Storage temperature -4°F to 158°F (-20°C to 70°C)

* Approximative and can change without notice.



INSTALLATION EXAMPLE



Splitter Box
120/240-208V (Max 125A)

Transformer,
Input: 240/208V, Output 24V

Main Power Lugs

Neutral Lugs

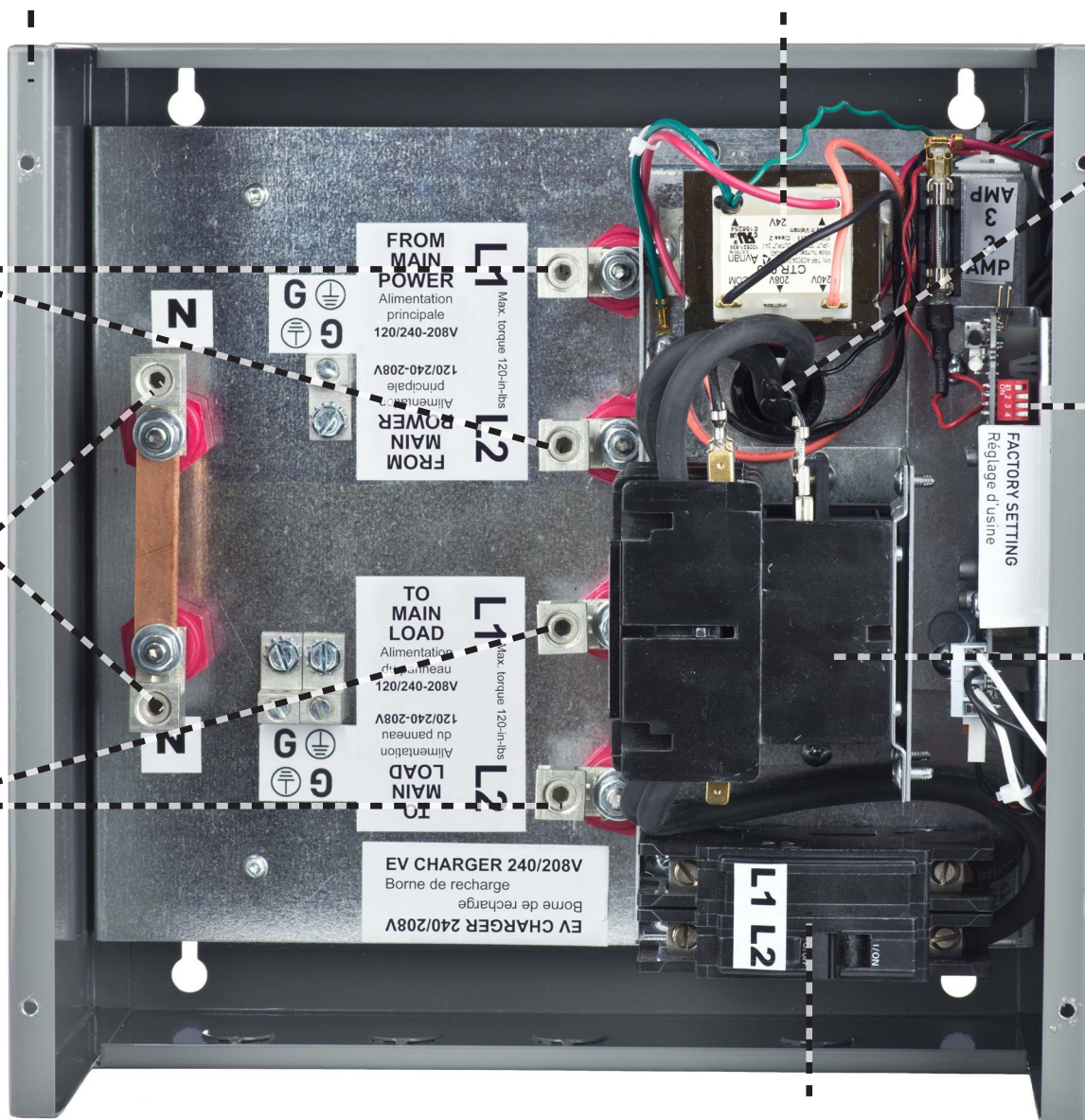
Main Load Lugs

Pre-wired Current
Transformers (CT) on L1 and L2

DIP switch configuration
for panel capacity

Contactor, 60 FLA, 50/60 Hz

EV Charger Breaker
(Max 60A)

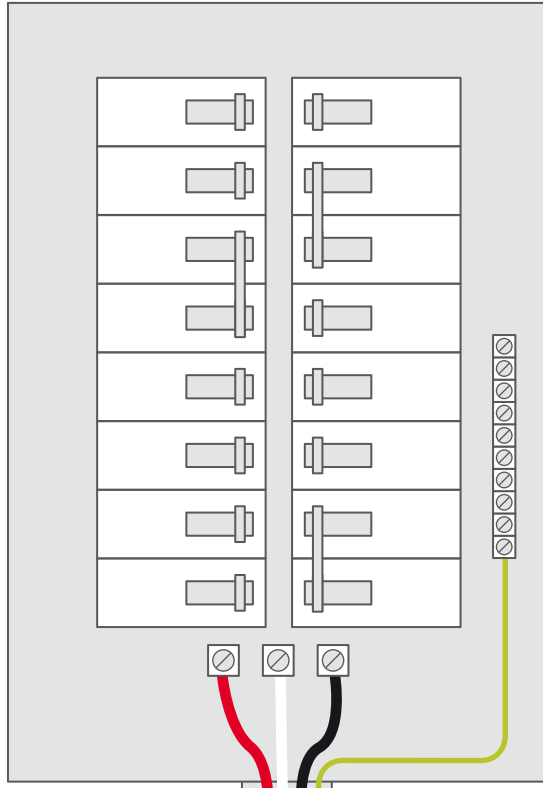


DCC-9

with

METER STACK

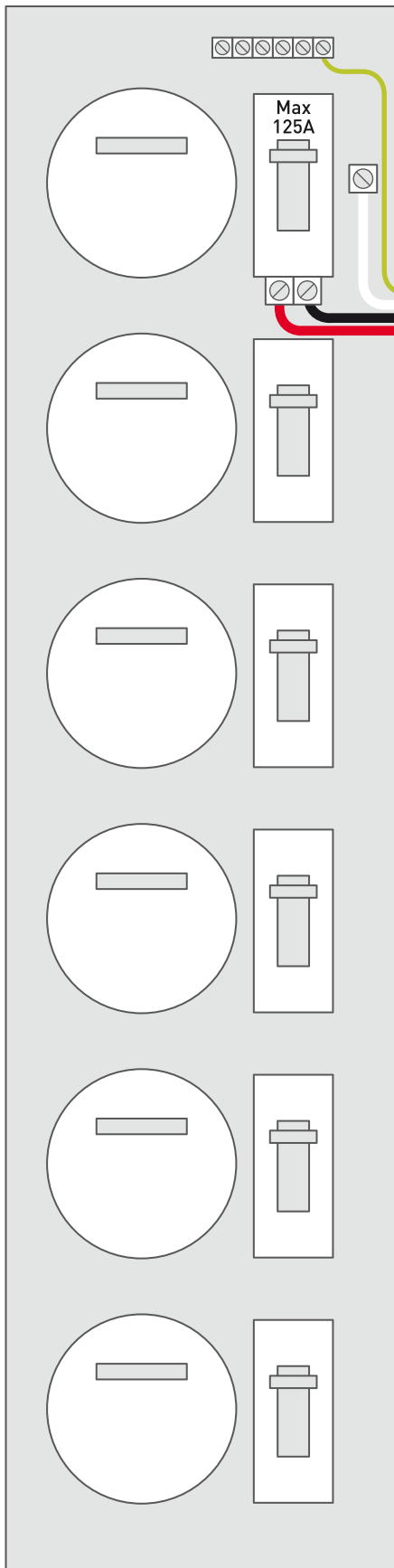
PANEL OF THE UNIT
120/240-208V, MAX 125A



FEEDER OF THE UNIT

↑ **UPPER LEVEL**

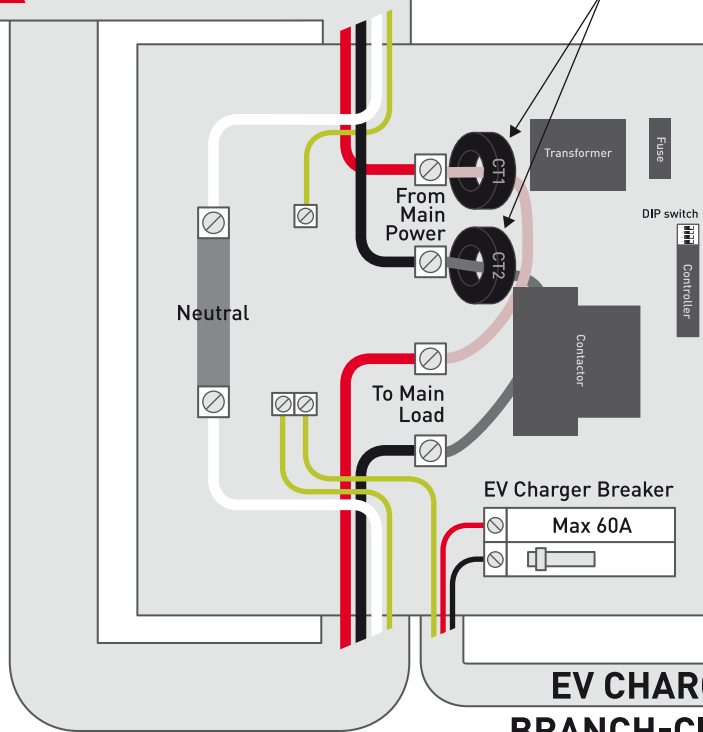
METER STACK
120/240-208V



Pre-wired Current Transformers

DCC-9

**CHARGE CONTROLLER,
SPLITTER BOX 120/240-208V,
MAX 125A**



**EV CHARGER
BRANCH-CIRCUIT**

