

DCC

Energy Management System for affordable EV Charger residential installation

WHY?

In a home, EV Charger installation can be really expensive when a panel upgrade is necessary.

In a condo, it is impossible to access the panel of the unit and the power available is limited.

WHAT?

The DCC is an electrical component that makes EV charger installation more affordable and possible in these two contexts.

HOW?

The DCC allows the connection of any EV charger to a fully load panel by managing the energy available at all time, whether it is in a home or a condo. The DCC will only allow power to be delivered to the EV charger if the total demand of the panel is below its full capacity. In a condo, the DCC can be installed in the electrical room, making possible the connection of the EV charger to the electrical infrastructure.

Enable your EV charger to be installed **everywhere** by informing your customers about the DCC

www.dcc.technology
1-833-717-1355

compatible with
ALL EV CHARGER



CLIPPERCREEK, INC.

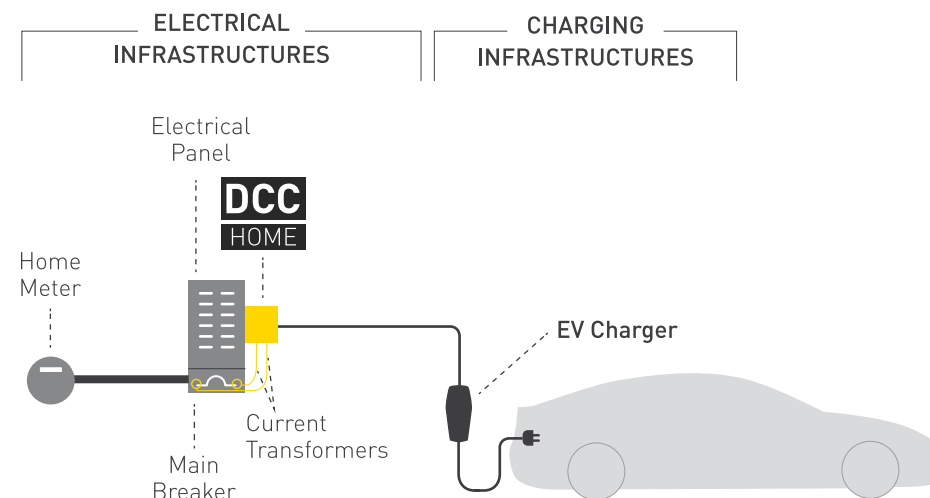


eMotorWerks
SMART (GRID) EV CHARGING



DCC HOME

The DCC Home is a charge controller specially designed to allow the connection of an EV charger, in a house or dwelling, to an electrical panel that otherwise would not have sufficient capacity to allow the connection.



DCC CONDO

The DCC Condo is a charge controller specially designed to allow the connection of an EV charger to the main power of a unit when the electric meter is accessible from a condo or multi-residential parking lot.

