

DCC-10

Demand Charge Controller for Electric Vehicles

ENGLISH



Models	Breaker EV charger	Main power supply							
		60A	70A	80A	90A	100A	125A	150A	200A
DCC-10-30A	30A	✓	✓	✓	✓	✓	✓	✓	✓
DCC-10-40A	40A	✗	✗	✓	✓	✓	✓	✓	✓
DCC-10-50A	50A	✗	✗	✗	✗	✓	✓	✓	✓
DCC-10-60A	60A	✗	✗	✗	✗	✗	✓	✓	✓

Voltage and wiring 240/208V AC single phase:
L1, L2, Neutral, Ground.

Frequency 50 to 60 Hz

Operation temperature -22°F to 113°F (-30°C to 45°C)

	Dimensions* (H" x W" x D")	Total weight*
	11" x 11" x 4.5"	12 lb (5,44 kg)
NEMA 3R enclosure	14" x 13" x 8"	14 lb (6,35 kg)

*Approximative and can change without notice. V1

DCC-10, manufactured by Thermolec, is an Energy Management System specifically designed to allow the connection of an EV Charger to a panel that is at full capacity and would otherwise need a service upgrade.

OPERATION

- Real-time reading of the total power consumption of the home's electrical panel;
- Detects when total power consumption exceeds 80% of main circuit breaker capacity and temporarily de-energize the EV Charger;
- Automatically re-energize the EV Charger when the total power consumption of the electrical panel is less than 80% of its capacity for more than 15 minutes.
- Requires one double pole breaker slot available in a panel.

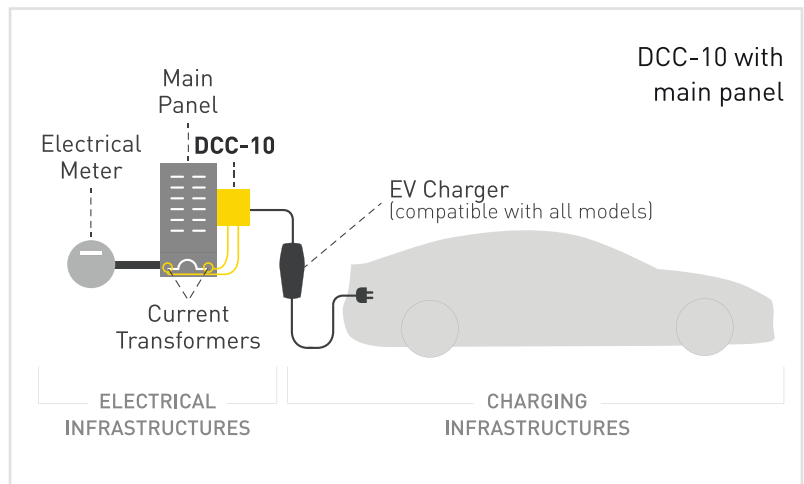
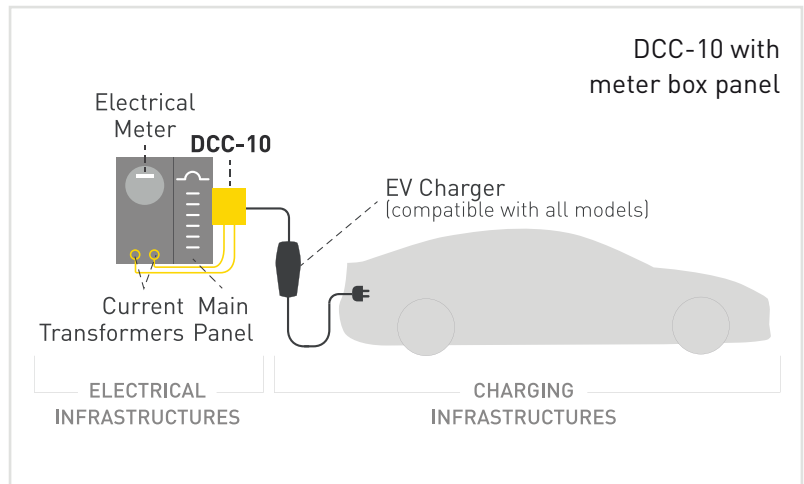
FEATURES

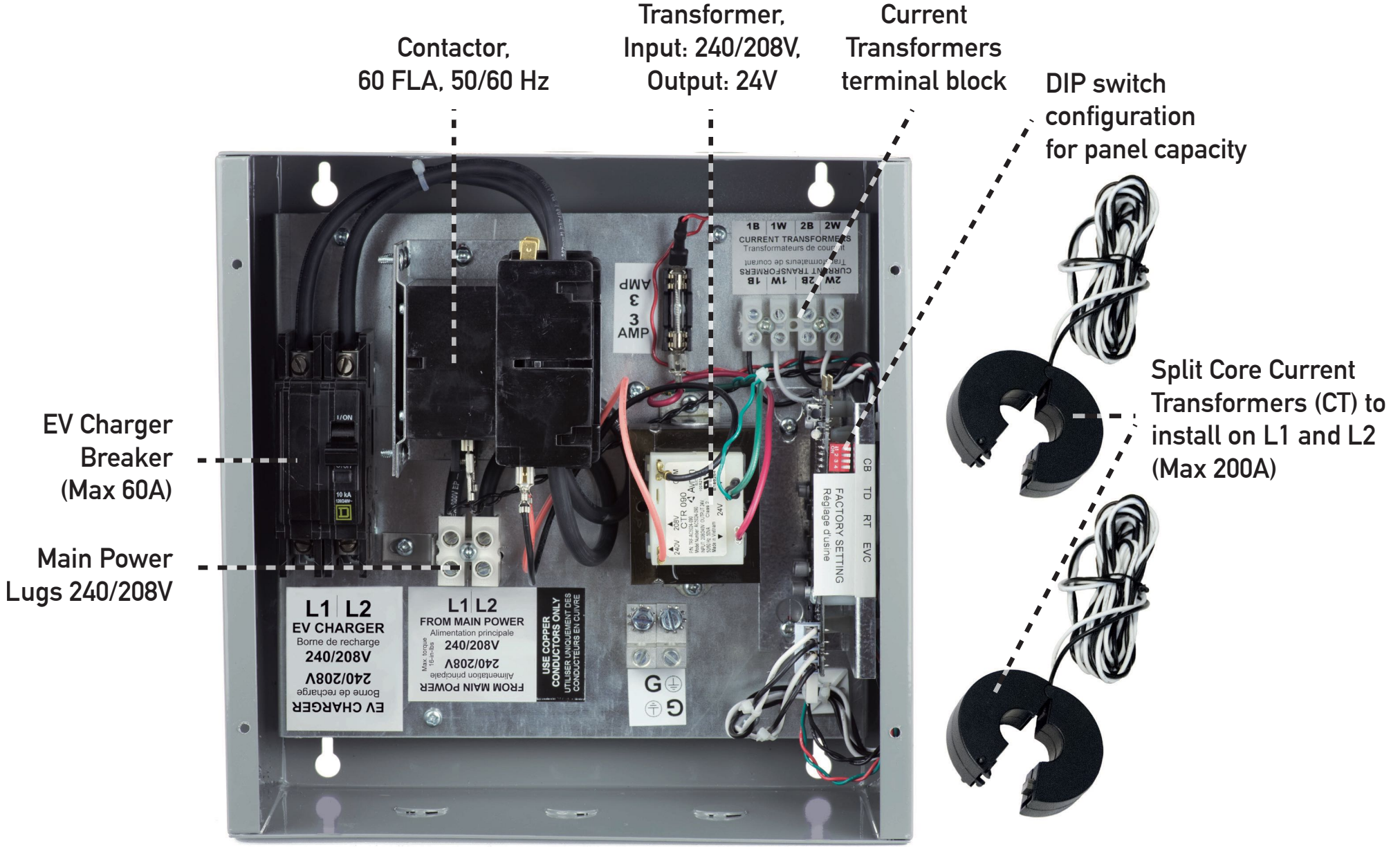
- Does not affect load calculation of a panel.
- Automatic billing of electricity by the utility (for condo installation).
- Can be wall or ceiling mounted.
- NEMA 3R enclosure available for outdoor installation.

INCLUDED

- Charge Controller
- EV Charger Breaker (Max 60A)
- 2 split core current transformers (CT)

INSTALLATION EXAMPLES





DCC-10

with

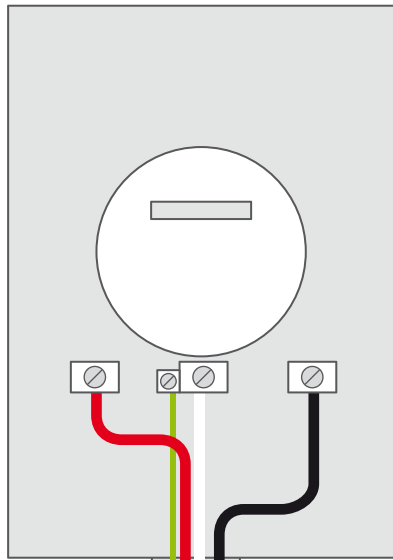
MAIN PANEL

MAIN PANEL

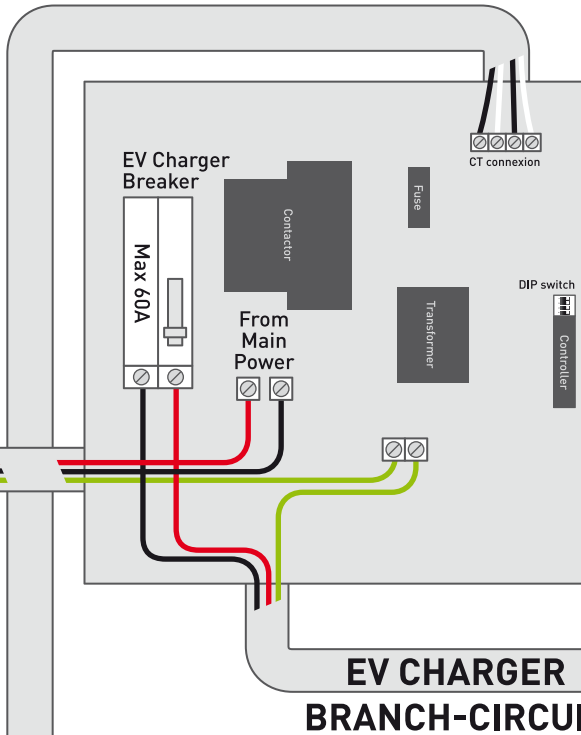
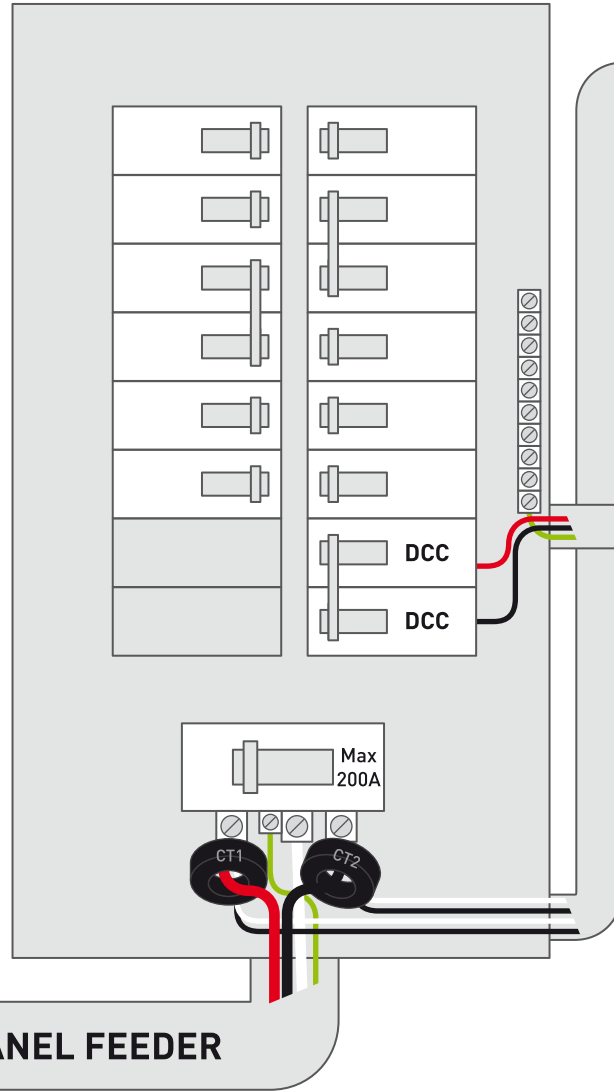
DCC-10

**CHARGE
CONTROLLER
240/208V,
MAX 200A**

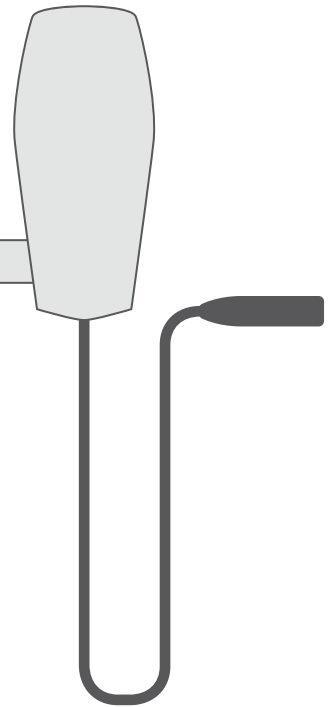
METER 120/240V



MAIN PANEL FEEDER



**EV CHARGER
BRANCH-CIRCUIT**

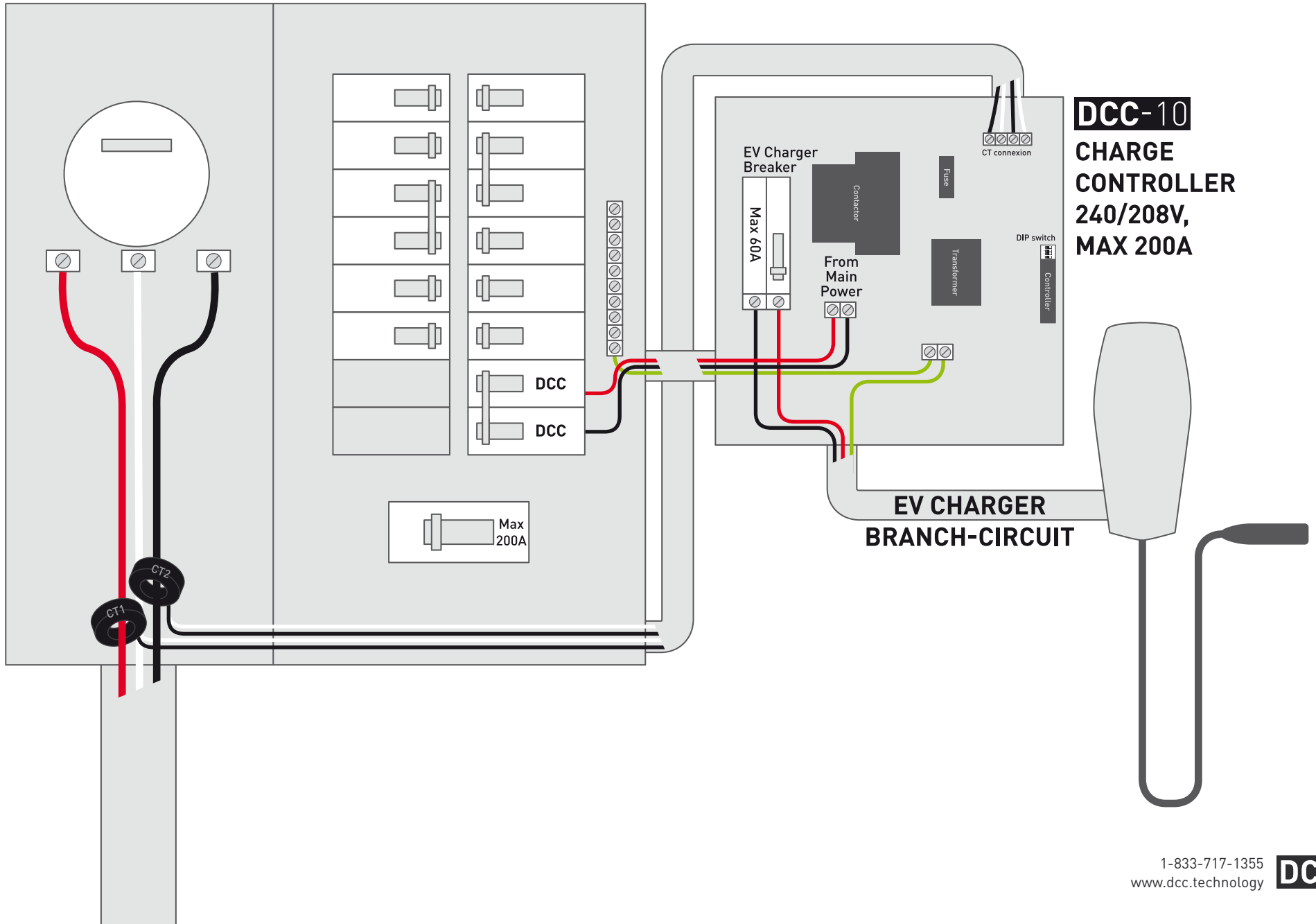


DCC-10

with

METER BOX PANEL

METER BOX PANEL 120/240V

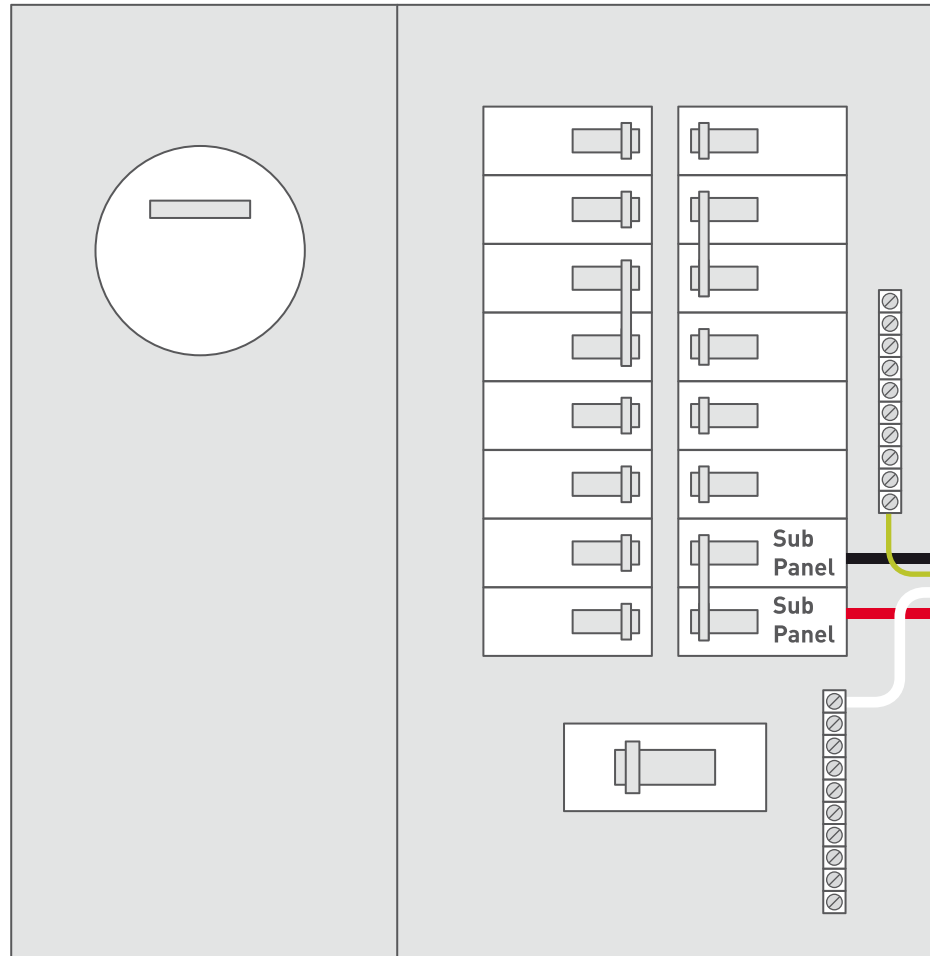


DCC-10
CHARGE
CONTROLLER
240/208V,
MAX 200A

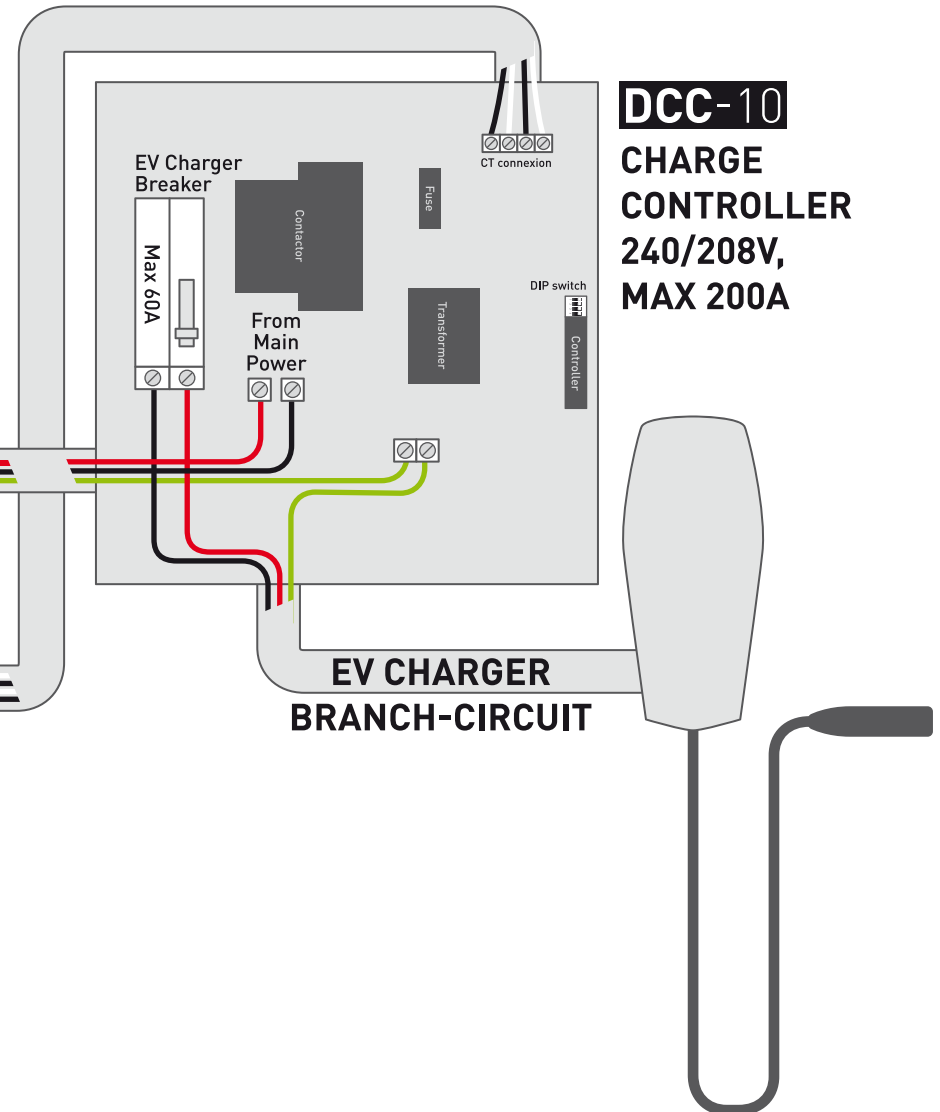
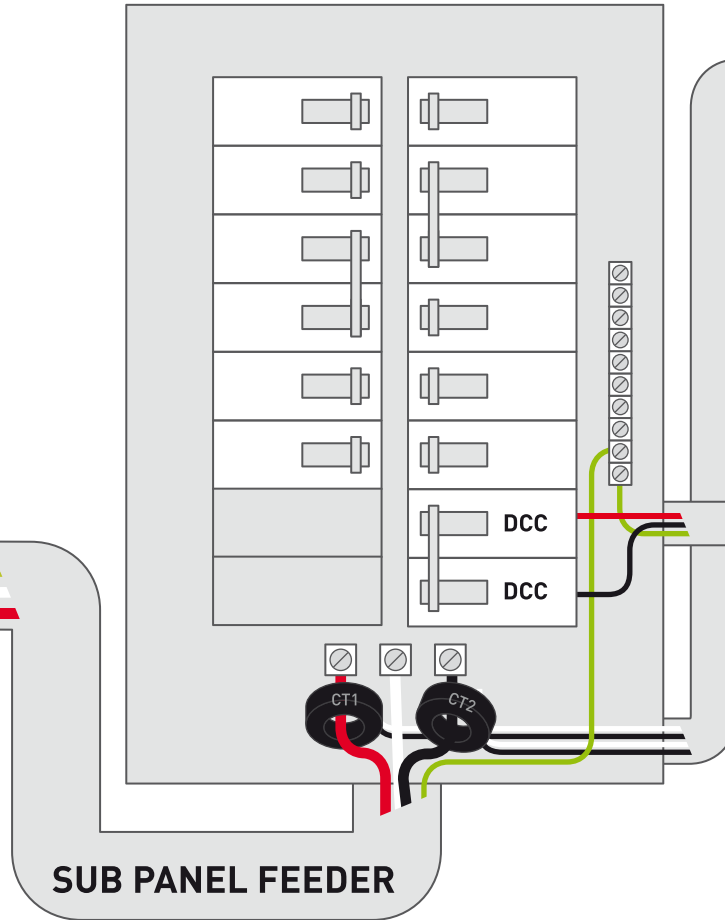
EV CHARGER
BRANCH-CIRCUIT

DCC-10 with SUB PANEL

METER BOX PANEL 120/240V



SUB PANEL



DCC-10
CHARGE
CONTROLLER
240/208V,
MAX 200A